

## Stance Bath Filler

**Product Description:** Stance 2 hole, single lever deck mount bath filler

**Product Code:** 14775D-4-CP

**Product Dimensions:** H227/116 x D283/135 x W217 mm

**Colour/Finish:** Polished Chrome

**Material:** Brass

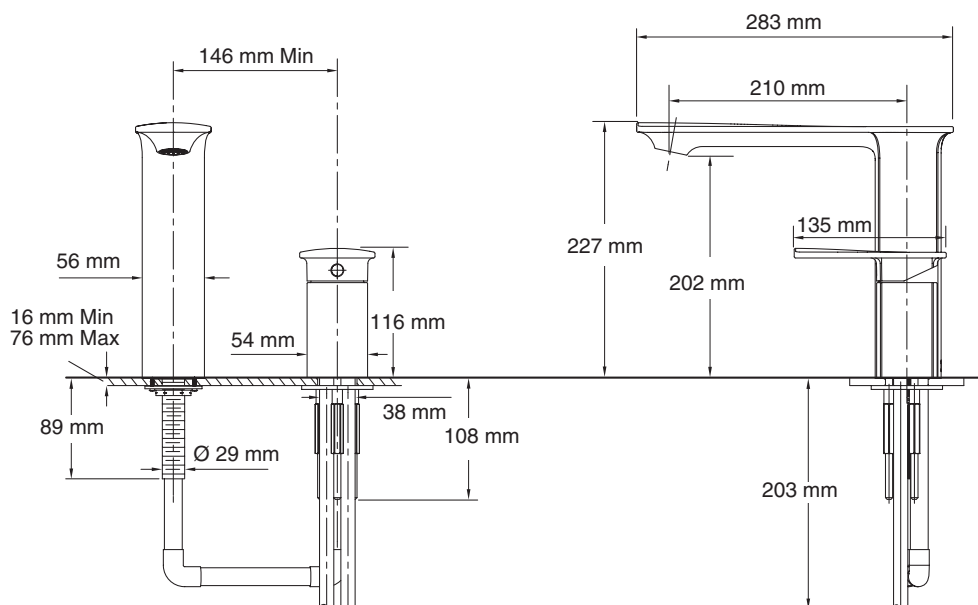
**Recommended Pressure (bar):** 0.5

**Product Weight (kg):** 6.36

**Fixings Included:** Yes

**Guarantee (Years):** 5

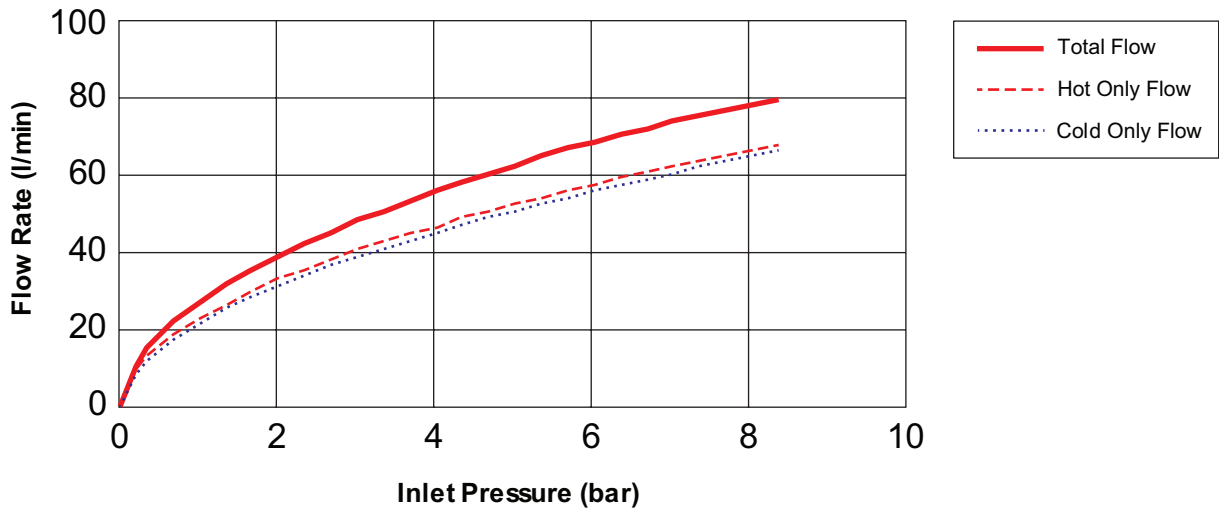
**Additional Information:** Brass Valve Body, Chrome Finish

**Notes:****Dimensions (mm)****Kohler UK**

Sales Tel: +44 (0) 844 571 0048 Fax: +44 (0) 844 571 1001  
 Technical Tel: +44 (0) 151 606 5034 Fax: +44 (0) 151 638 0303  
[www.kohler.co.uk](http://www.kohler.co.uk)

THE BOLD LOOK  
 OF **KOHLER**®

Flow Graph



**Kohler UK**

Sales Tel: +44 (0) 844 571 0048 Fax: +44 (0) 844 571 1001  
Technical Tel: +44 (0) 151 606 5034 Fax: +44 (0) 151 638 0303  
[www.kohler.co.uk](http://www.kohler.co.uk)

THE BOLD LOOK  
OF **KOHLER**®